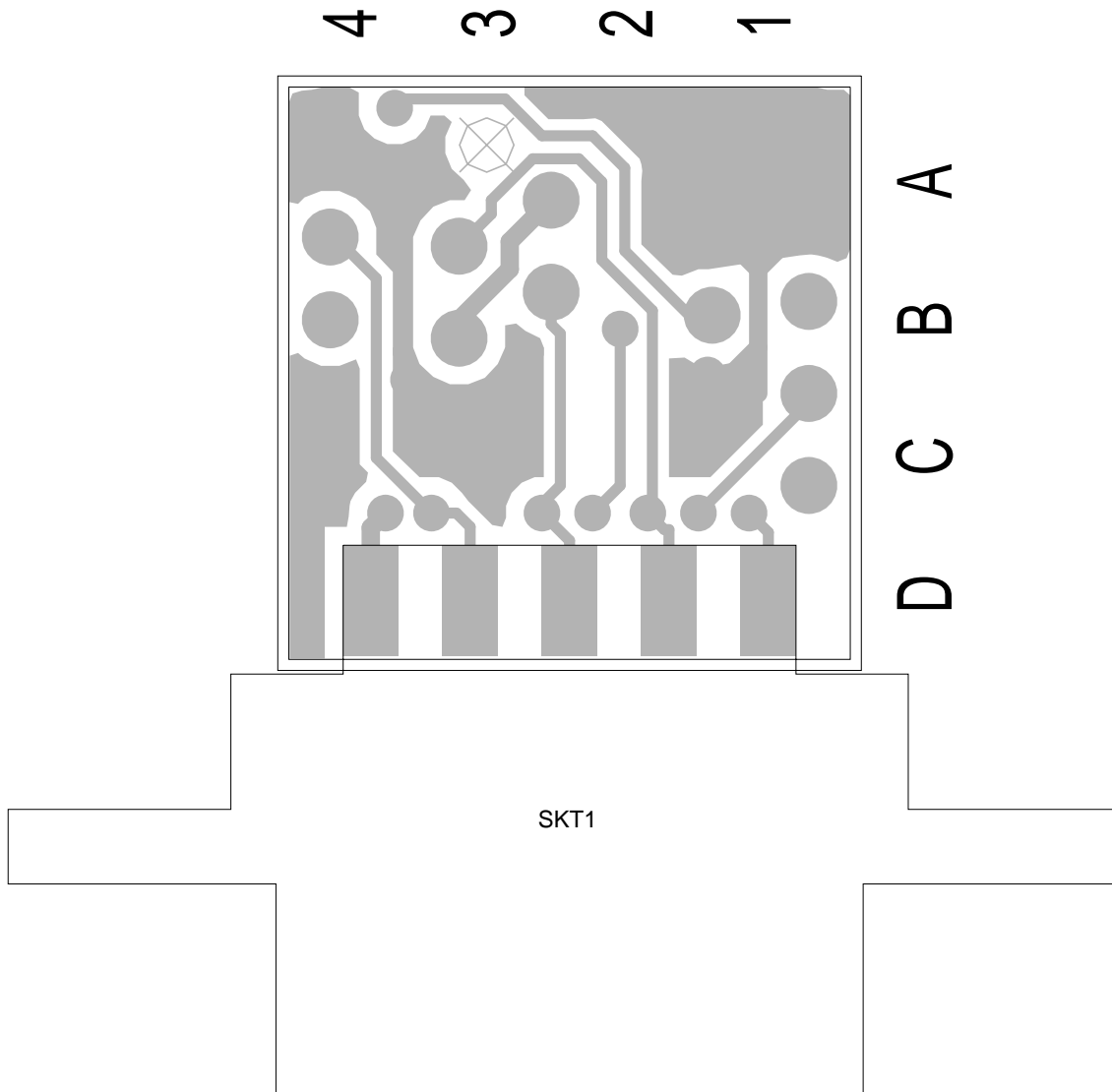


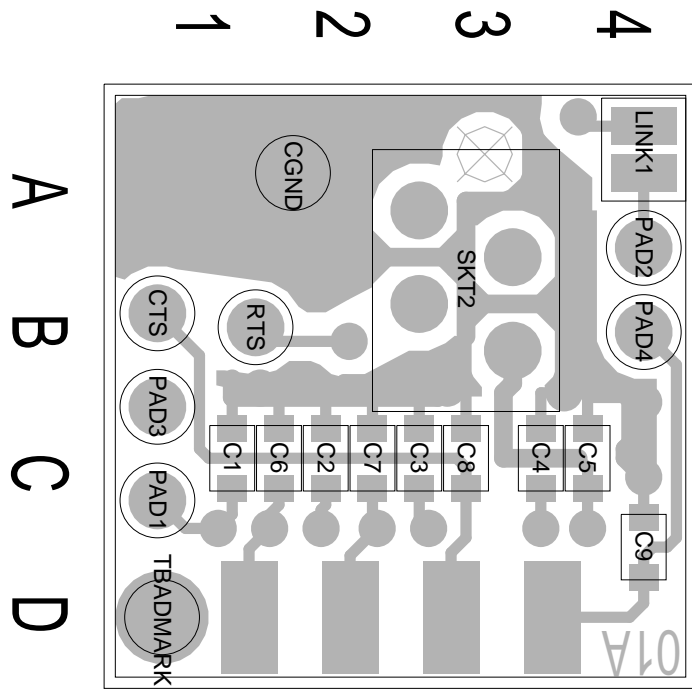
7.17 T2000 Data Interface Decoupling PCB

T2000 Data Interface Parts List (IPN 220-01388-01)

Ref	Var	IPN	Description	Ref	Var	IPN	Description
C1		018-14100-00	CAP 0603 CHIP 1N 50V X7R +-10%				
C2		018-14100-00	CAP 0603 CHIP 1N 50V X7R +-10%				
C3		018-14100-00	CAP 0603 CHIP 1N 50V X7R +-10%				
C4		018-14100-00	CAP 0603 CHIP 1N 50V X7R +-10%				
C5		018-14100-00	CAP 0603 CHIP 1N 50V X7R +-10%				
C6		018-14100-00	CAP 0603 CHIP 1N 50V X7R +-10%				
C7		018-14100-00	CAP 0603 CHIP 1N 50V X7R +-10%				
C8		018-14100-00	CAP 0603 CHIP 1N 50V X7R +-10%				
C9		018-14100-00	CAP 0603 CHIP 1N 50V X7R +-10%				
SKT1		240-02010-40	SKT 9 WAY D RANGE SUB MA				
SKT2		240-04020-84	SKT 24 WAY PCB MTG STAG MA				
		200-00010-03	WIRE T/C 0.9MM				
		220-01388-01	PCB T2000 DATA INT FCE DE-COUPLING				
		349-00020-07	(L) SCREW 4-40 X 5/16 PAN POZI TAPTITE BLACK				
		354-01041-00	FASTENER SCREW LOCK KIT (4-40 THREAD FOR DRANGE)				
		356-00010-05	TAG SOLDER 4MM LONG M MT				



T2000 Data Interface Decoupling PCB (IPN 220-01388-01) - Bottom Side



T2000 Data Interface Decoupling PCB (IPN 220-01388-01) - Top Side

